

TECHNICAL DATA SHEET

1. IDENTIFICATION OF THE PRODUCT AND THE COMPANY

NAME OF THE PRODUCT	PERFECT LINE Masking foam tape 25 m
CODE	106730
DISTRIBUTOR	BOSSAUTO INNOVA, S.A.
ADDRESS	c/ Thomas Edison 16, Apartado de correos 95
CITY	08430 La Roca del Vallés (Barcelona) SPAIN
PHONE	+ 34 93 860 49 23
FAX	+34 93 871 23 36
E-MAIL	info@bossauto.com
WEB	www.bossauto.com

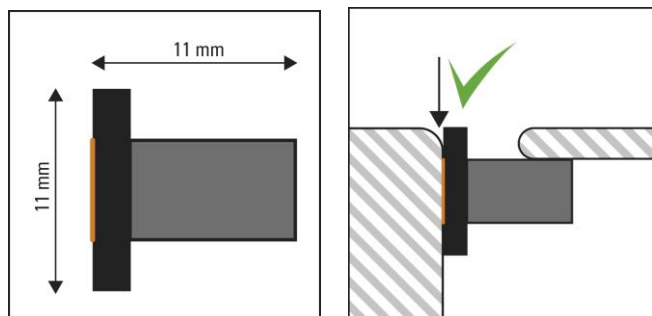
2. DESCRIPTION

High density foam roll, very consistent and with adhesive, 25 metres, made of two types of foam: polypropylene and polyethylene. Presented in a dispenser box.

3. PROPERTIES

Due to the flat design of the semi-rigid foam of PERFECT LINE Foam Masking Tape, it can be placed on edges easily and quickly. When the tape is attached to the edge of the surface, the paint does not go inside the car and remains perfectly on the edge and is imperceptible to the eye. The glue does not decompose when heat is applied in the cabin and does not leave a residue on the surface, as sometimes happens with other products. It has paper on the adhesive surface in order to protect it from contamination during the sanding process in the body shop, so that grip is not lost during application.

3.1. Measures and correct application



3.2. Product features

- Easy placement
- Perfect edge finish (imperceptible)
- No glue residue
- With protective role

4. STORAGE

It is advisable to store the product in areas with temperatures below 35°C and normal ventilation. Avoid keep the product stored for more than twelve months. Make a good rotation of stock to an optimal result.

The technical information is in accordance with our experience. We assure the quality of the product. However, the conditions of use are not under our control and we cannot assume any responsibility of the obtained results.